

御 仕 様 書

ES-300

PROTECH®

Specifications

Camera Adaptor ES-300

ES-300 仕様

Output		出力
Return	RET OUT :1	BNC x1: 1Vp-p, 75Ω, Analog composite or HD-Y ※1
Video	AUX* VIDEO OUT :1	BNC x1: 1Vp-p, 75Ω, Analog composite
DC output	DC 12VOUT :1 DC OUT :1	XLR 4-pin(female) x1: 16V (Maximum 3.0A) Mini 4-pin(female) x1: DC 8.4V, DC16V Total 50W
Monitor	MONITOR OUT :1	Mini 6-pin(female) x1: RET Analog composite, DC 16V and TALLY signal
Tally	TALLY OUT :1	BNC x1
Time Code	TC OUT :1	BNC x1
Input		入力
HD component	Pr/Pb/Y IN :1	BNC x3: 1Vp-p, 75Ω, Analog component
Composite	VIDEO IN :1	BNC x1: 1Vp-p, 75Ω, Analog composite
Audio	AUDIO IN :1	Stereo mini-jack φ 3.5 x1
Time Code	AUX* TC IN :1	BNC x1
Intercom		インカム
Intercom headset	HEADSET :1	XLR 4-pin(male) x 1
Tally		タリー
Tally indicator	Tally indicator : 3	Front x1 and Rear x1 (Both On/Off Selectable), Main panel x1
Remote		リモート
Remote	REMOTE :1	8-pin(female) ※2
LANC	LANC :1	Stereo mini-jack φ 2.5mm
Main connection		接続
Socket	26-pin(male)	
Maximum distance	100m(0.0625mile)	
General		一般
Power requirement	DC 16V 10W Max.	
Power consumption	approx. 10W Max.	
Storage temperature	-4 to 140°F (-20°C to 60°C)	
Operating temperature	+32 to 104°F (0°C to 40°C)	
Operating humidity	10% to 90% (no condensation)	
Dimensions (WxHxD)	7.05 x 2.32 x 9.69 inches (179x59x246 mm)	(excluding protrusions)
Weight	approx. 1.99lbs. (0.9kg)	(without options)

AUX* : The VIDEO OUT or TC IN of AUX is selectable.

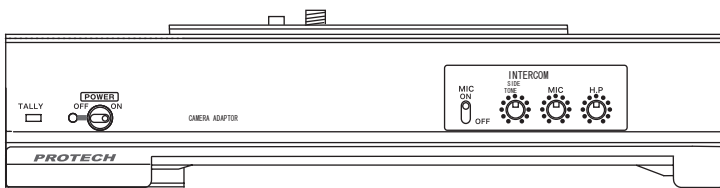
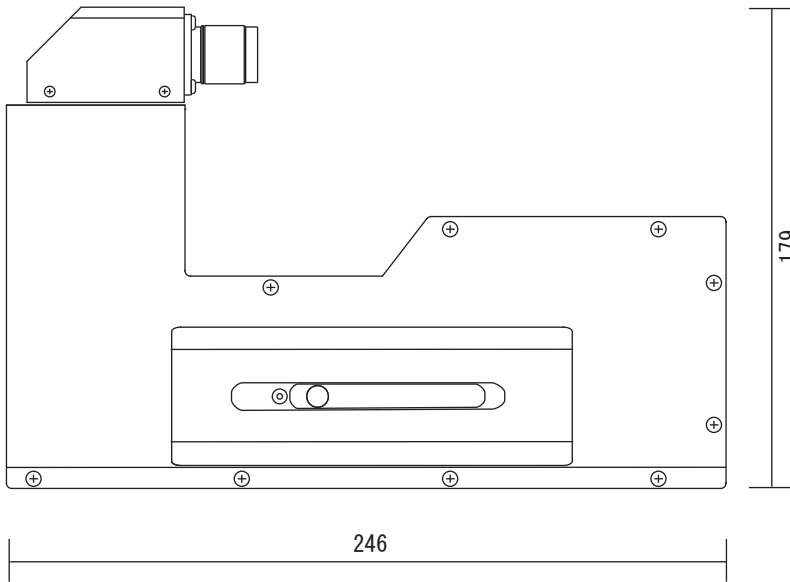
※1 : LVM-89W can receive an analog composite only.

※2 : 8-pin for SONY RM-B750 or RM-B150

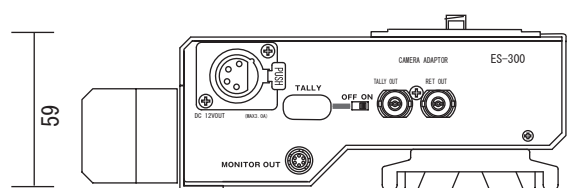
Outside View and Dimensions

Camera Adaptor ES-300

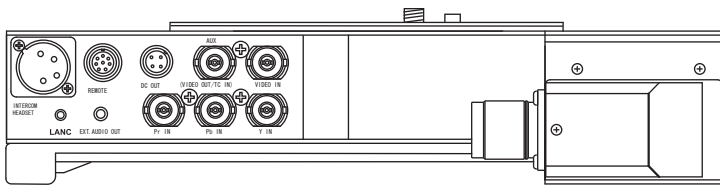
ES-300 外形寸法図



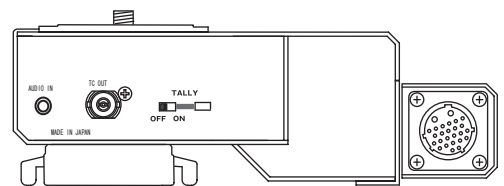
(main panel)



(front)



(connector panel)



(rear)

Outside dimension (unit: mm)
外形寸法図 (単位: ミリ)